

Kason Recessed Internal Release Mechanism

PART No: K486

FEATURES

Kason Recessed Inside Release Push with Safety Glow plastic knob.

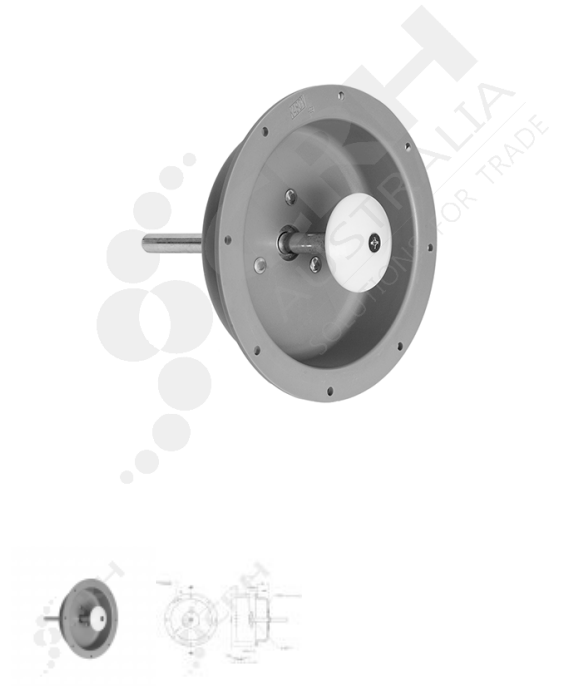
CRH & All manufacturers highly recommend that all internal safety release mechanisms fitted to doors are checked at least 3 times weekly to ensure they are functioning correctly.

Colour: Grey

Material: Zinc Plated & PVC

ADDITIONAL INFORMATION

Suitable for Panel up to 150mm and already fitted to a PVC dish for recessed mounting. Recessed mounting means the Rod & Glo-Knob does not proceed as far out from the door panel which may help to prevent items getting hooked up on it or personnel injuries.



CRH Australia Pty Ltd 1-3 Nelson Street Moorabbin VIC 3189 Australia t+61 3 9532 f+61 3 9532 2696



info@crh.com.au

www.crh.com.au