

CRH Large Hanging Roller Assy Casting, Surfmist White - RH

PART No: A121WRHS

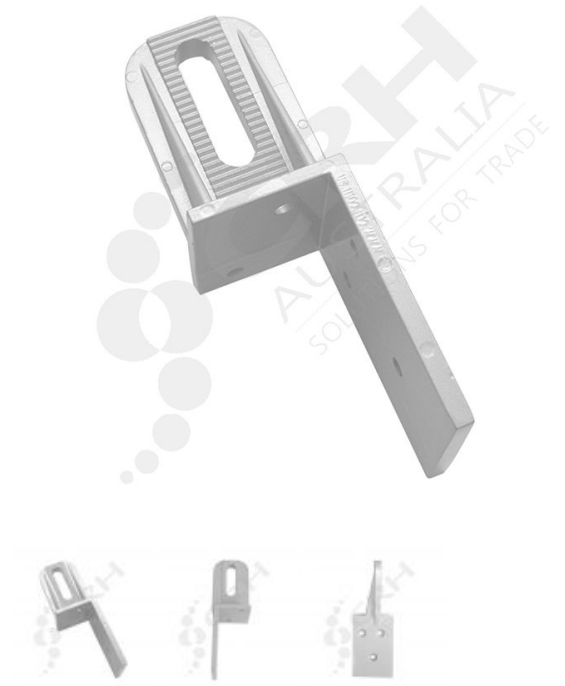
FEATURES

CRH Large Hanging Roller Assy Casting, - Right Hand

Forms part of the A120 & A130 Series Hanging Roller Assemblies and is compatible with the following Wheel & Axle assemblies; A118, A119, A129, A134W, A134W-55.

Colour: Surfmist White

Material: High Pressure Aluminium Die-Cast



CRH Australia Pty Ltd 1-3 Nelson Street Moorabbin VIC 3189 Australia t+61 3 9532 f+61 3 9532 2696



info@crh.com.au

www.crh.com.au